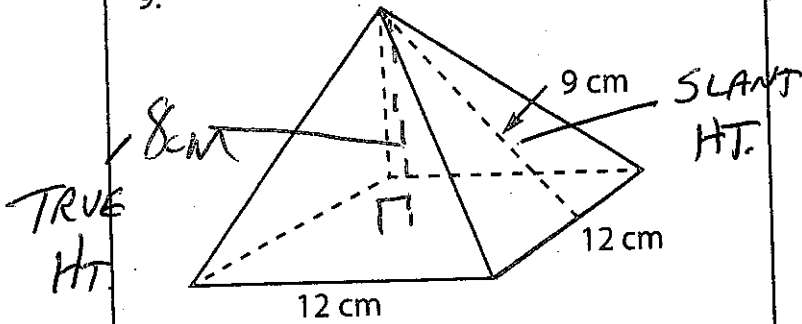


$V = \frac{\text{AREA OF BASE} \times \text{TRUE HT.}}{3}$        $SA = \text{AREA OF BASE} + 4 \text{ TRIANGLES}$   
 USE SLANT HT.

B. Directions: Find the surface area of each figure below.

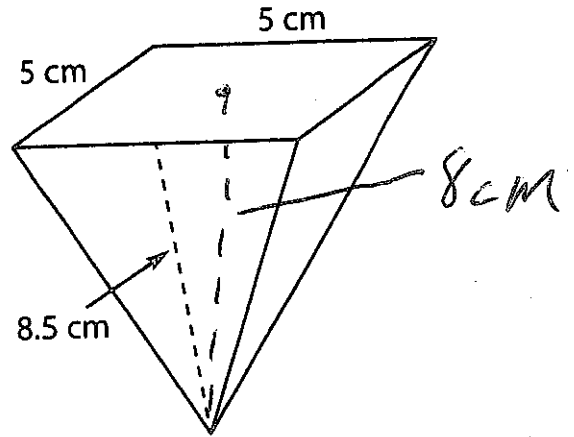
9.



$V =$  \_\_\_\_\_

Answer: \_\_\_\_\_

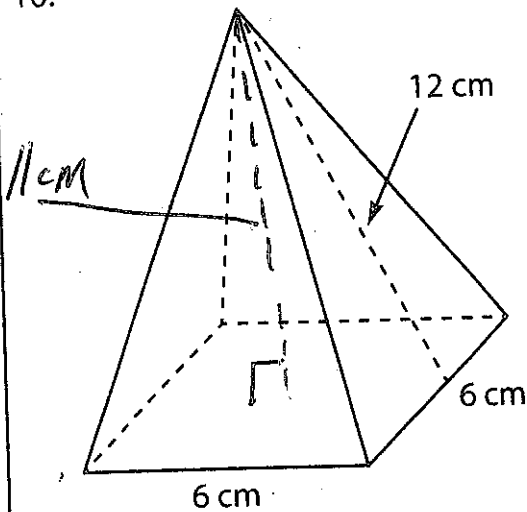
11.



$V =$  \_\_\_\_\_

Answer: \_\_\_\_\_

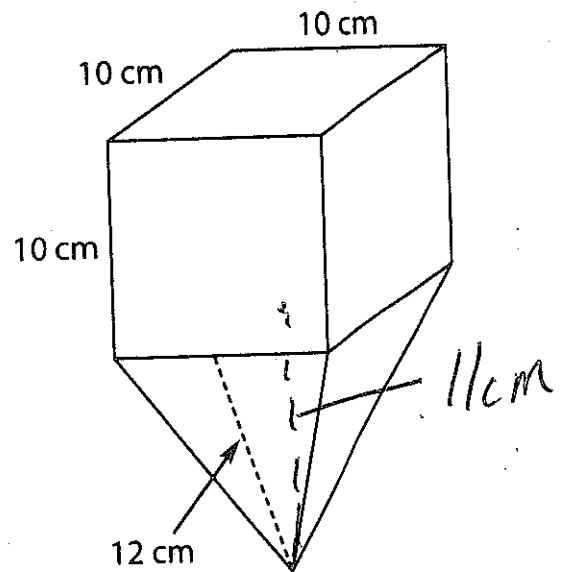
10.



$V =$  \_\_\_\_\_

Answer: \_\_\_\_\_

12. Challenge!



$V =$  \_\_\_\_\_

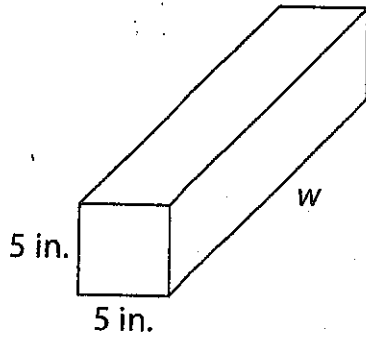
Answer: \_\_\_\_\_

Standard 7.G.6 (M)

**Another Dimension**

**Directions:** Find the missing dimension for each three-dimensional figure below.

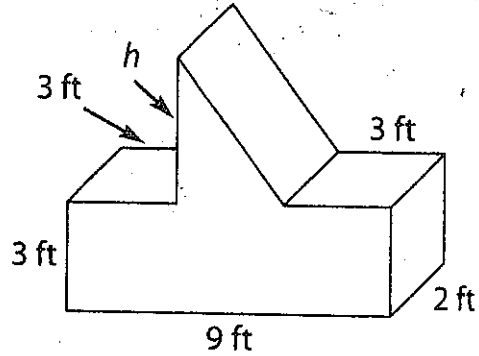
1.



Volume:  $525 \text{ in.}^3$

$w =$  \_\_\_\_\_

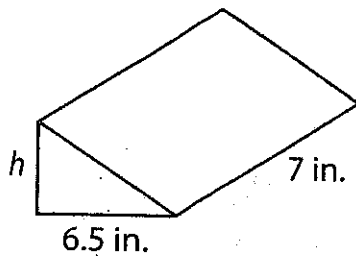
4.



Volume:  $66 \text{ ft}^3$

$h =$  \_\_\_\_\_

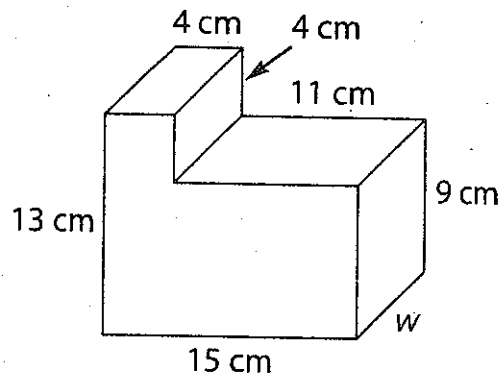
2.



Volume:  $72.8 \text{ in.}^3$

$h =$  \_\_\_\_\_

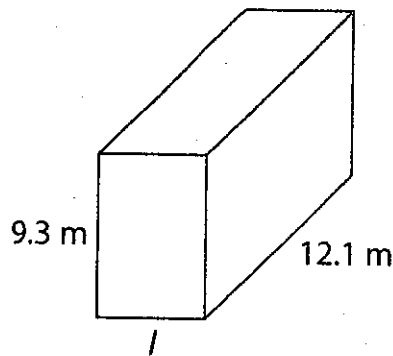
5.



Volume:  $755 \text{ cm}^3$

$w =$  \_\_\_\_\_

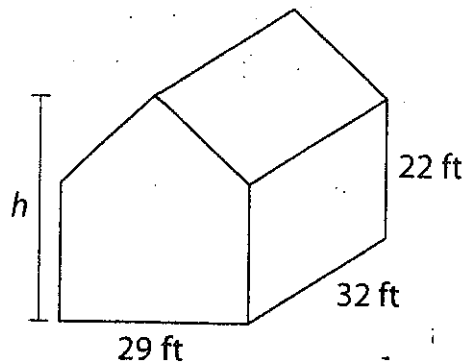
3.



Volume:  $675.18 \text{ m}^3$

$l =$  \_\_\_\_\_

6.



Volume:  $26,912 \text{ ft}^3$

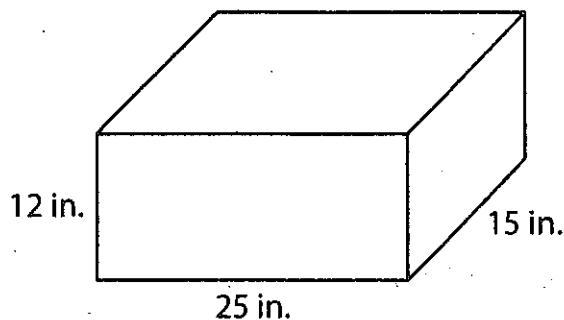
$h =$  \_\_\_\_\_

Standard 7.G.6 (M)

**Problem Solving VI**

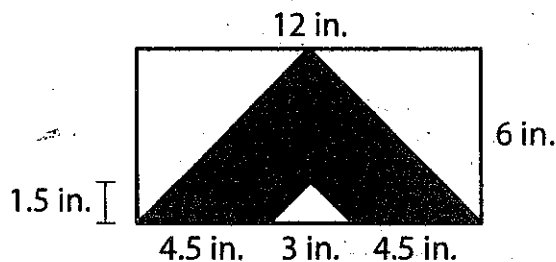
**Directions:** Read and solve each problem below. Show all of your work.

1. Stan mailed the package below to his grandfather. He covered the box in brown mailing paper. The paper cost \$0.10 per square foot. How much money did it cost Stan to cover the package?



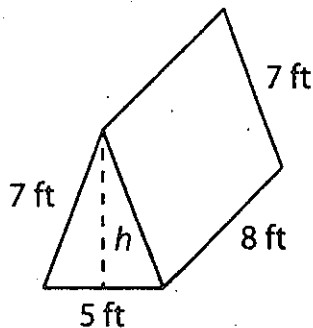
Answer: \_\_\_\_\_

2. Katelyn worked on a sewing project for one of her classes. She used the pattern shown below. What was the area of the pattern Katelyn used?



Answer: \_\_\_\_\_

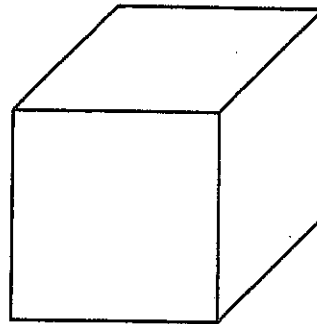
3. Marcus built a fort out of leftover cardboard for his younger brother. The fort was shaped like a triangular prism, as shown below. The volume of the fort was 120 cubic feet. What was the height of the triangular base of the fort?



Answer: \_\_\_\_\_

*continue to next page*

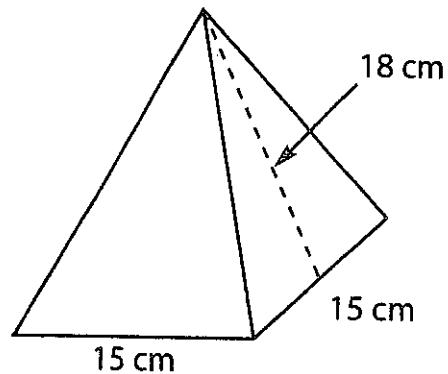
4. Erin has a toy box shaped like the cube shown below. The box has a surface area of 121.5 square inches. What is the volume of Erin's toy box?



Surface Area = 121.5 in.<sup>2</sup>

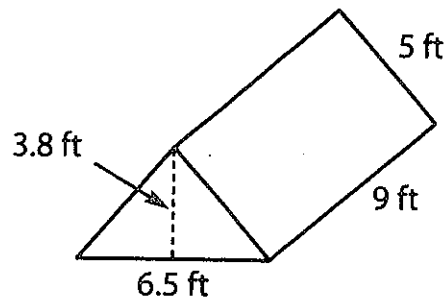
Answer: \_\_\_\_\_

5. Orin made a birdhouse in the shape of a rectangular pyramid, like the one shown below. How much wood did Orin use to build the birdhouse?



Answer: \_\_\_\_\_

6. Benjamin bought a fabric tent in the shape of a triangular prism, as shown below. How much fabric was used to make the tent?



Answer: \_\_\_\_\_