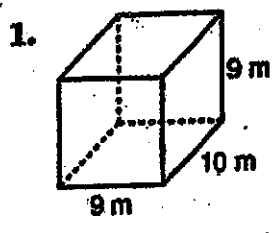


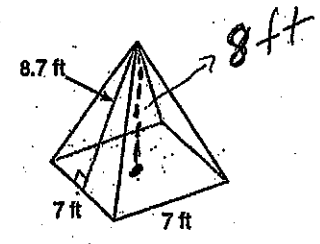
NAME _____

STUDY GUIDE

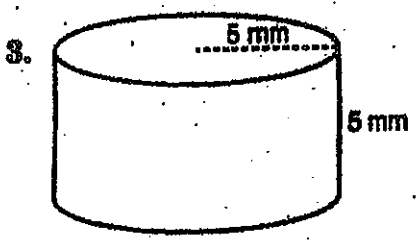
FIND THE SURFACE AREA & VOLUME FOR EACH SOLID. SHOW ALL WORK



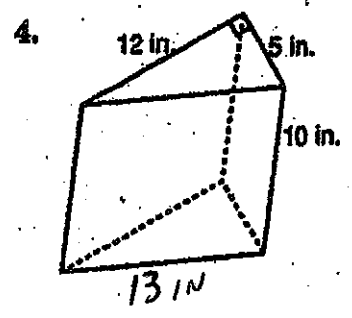
SA = _____
V = _____



SA = _____
V = _____

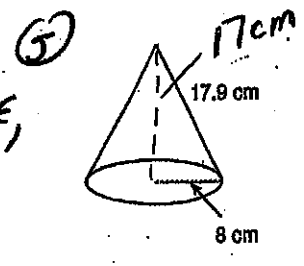


SA = _____
V = _____



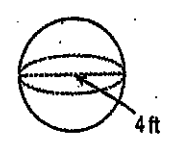
SA = _____
V = _____

FIND VOLUME,
USE $V = \frac{4}{3} \pi r^3$
FOR SPHERE.



V = _____

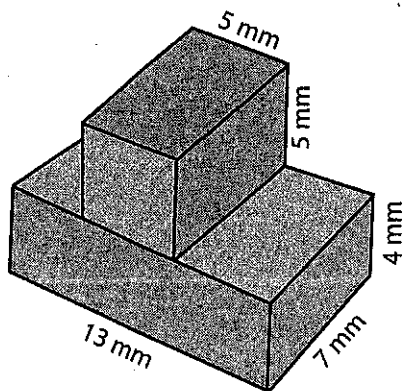
6.



V = _____

FIND VOLUME & SURFACE AREA OF THESE 3-D FIGURES.

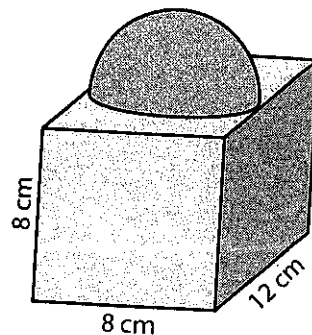
7



S. AREA _____

VOLUME _____

8



S. AREA _____

VOLUME _____

9 FIND PERIMETER & AREA OF BOTH RECTANGLES

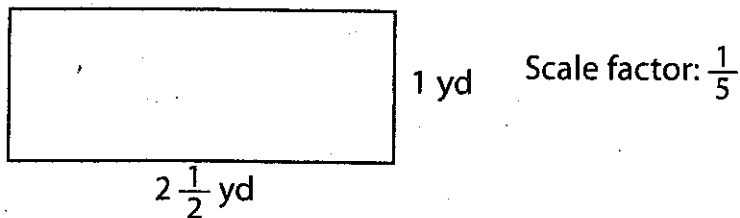
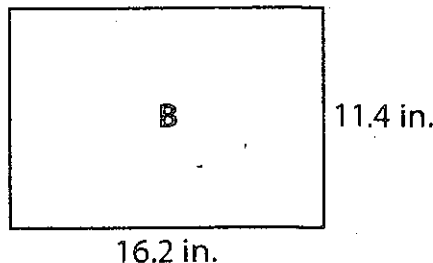
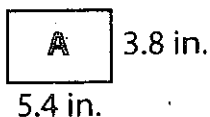


Figure Perimeter: _____ Area: _____

Scale Drawing Perimeter: _____ Area: _____

10 FIND THE SCALE FACTOR



Scale factor: _____